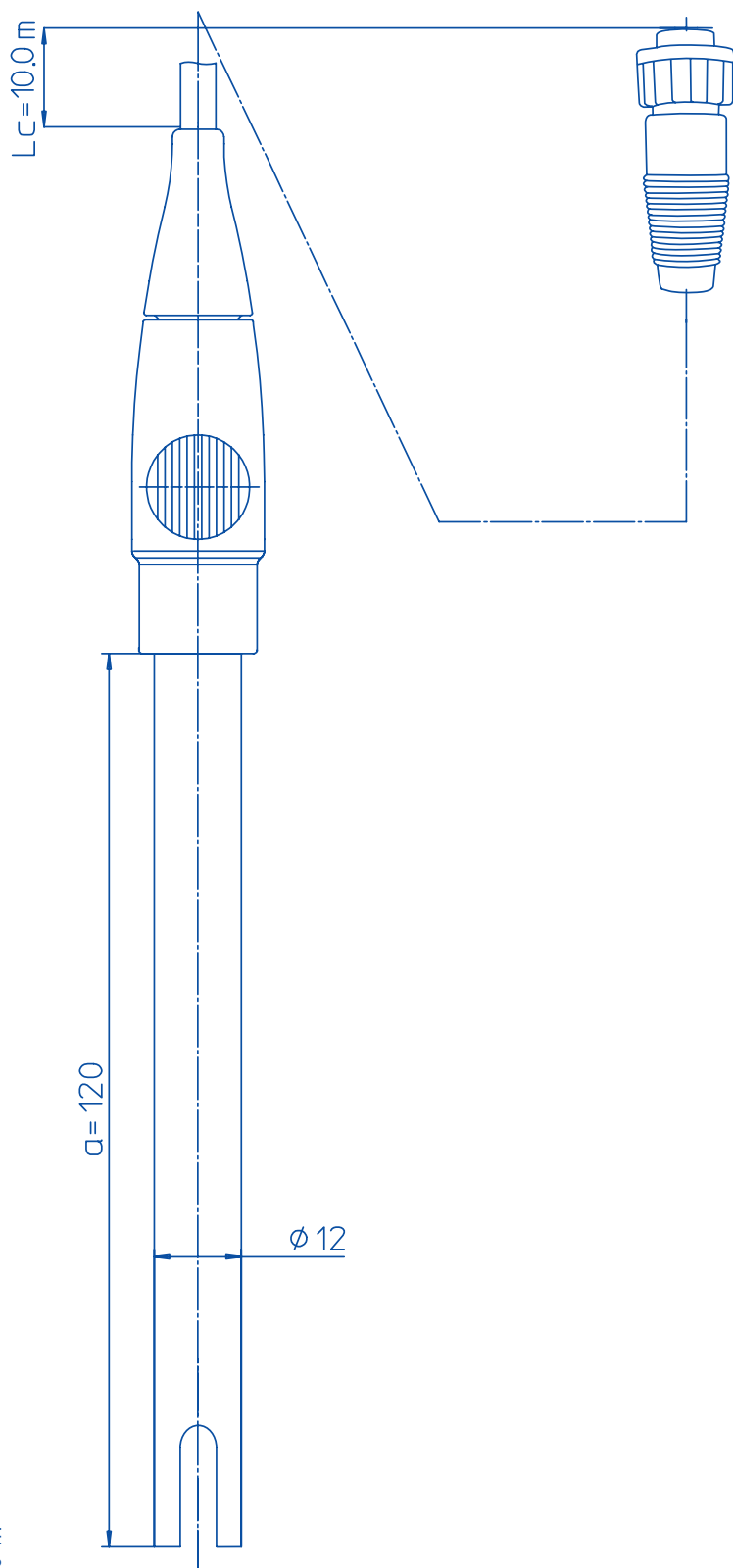


conductivity



**Order number** 51344124

former order number -

**Specifications**

pH range -

zero point (pH) -

temperature range 0 - 100 °C

temperature probe NTC 30 kΩ

shaft material epoxy

membrane glass -

membrane resistance -

reference system -

reference diaphragm -

reference electrolyte -

bridge electrolyte -

electrode head -

cable length 10.0 m

connector LTW (IP67)

cell constant (cm<sup>-1</sup>) 0.57

cell type 4 graphite poles

indicating metal -

**Storage** dry

**Additional specifications**

measuring range 0.01 - 1000 mS/cm

IP67

Scale 1:1