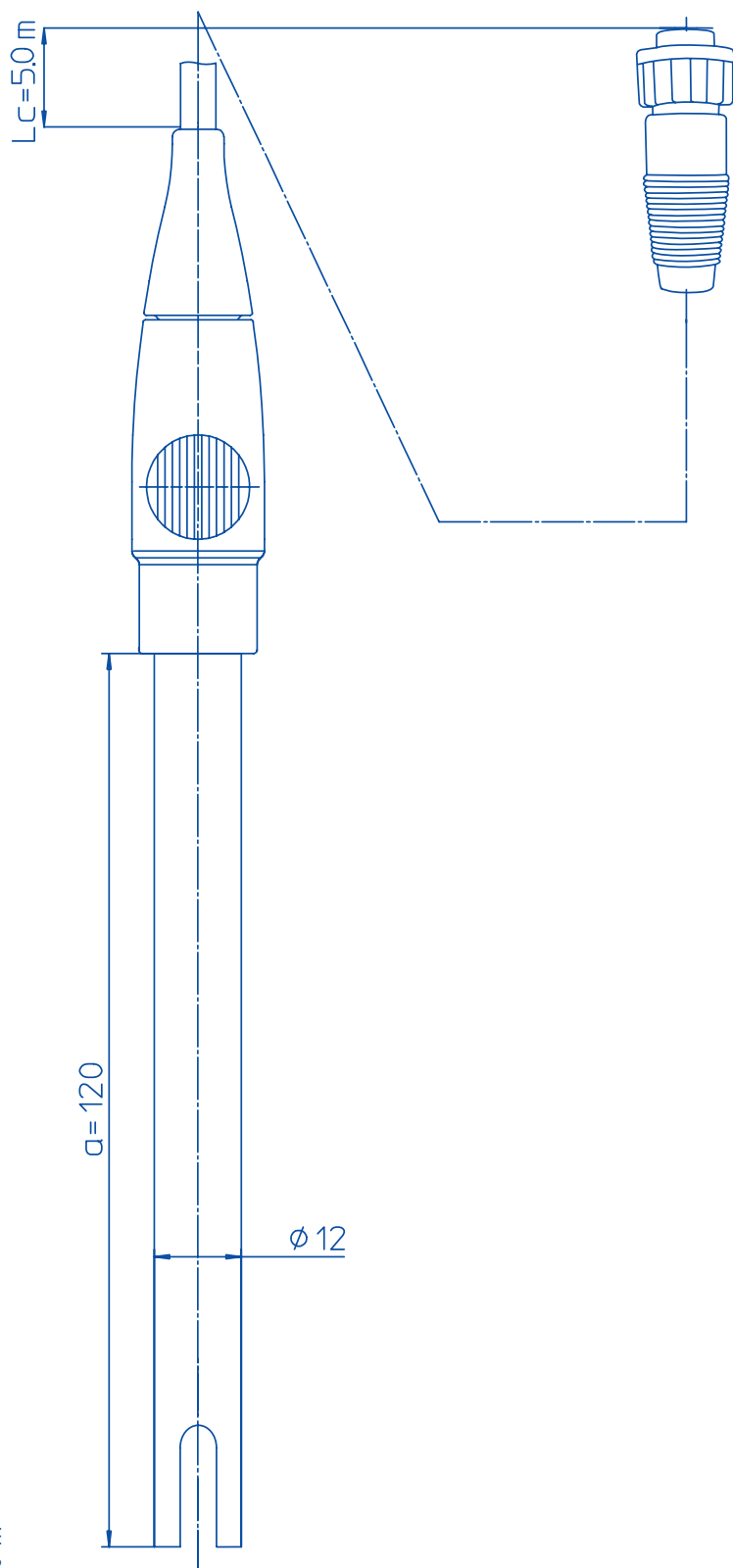


conductivity



Scale 1:1

Order number 51344122
 former order number -

Specifications
 pH range -
 zero point (pH) -

temperature range 0 - 100 °C
 temperature probe NTC 30 kΩ

shaft material epoxy
 membrane glass -
 membrane resistance -

reference system -
 reference diaphragm -
 reference electrolyte -

bridge electrolyte -

electrode head -
 cable length 5.0 m
 connector LTW (IP67)
 0.57

cell constant (cm⁻¹) 4 graphite poles
 cell type -

indicating metal
 dry

Storage

Additional specifications
 measuring range 0.01 - 1000 mS/cm
 IP67