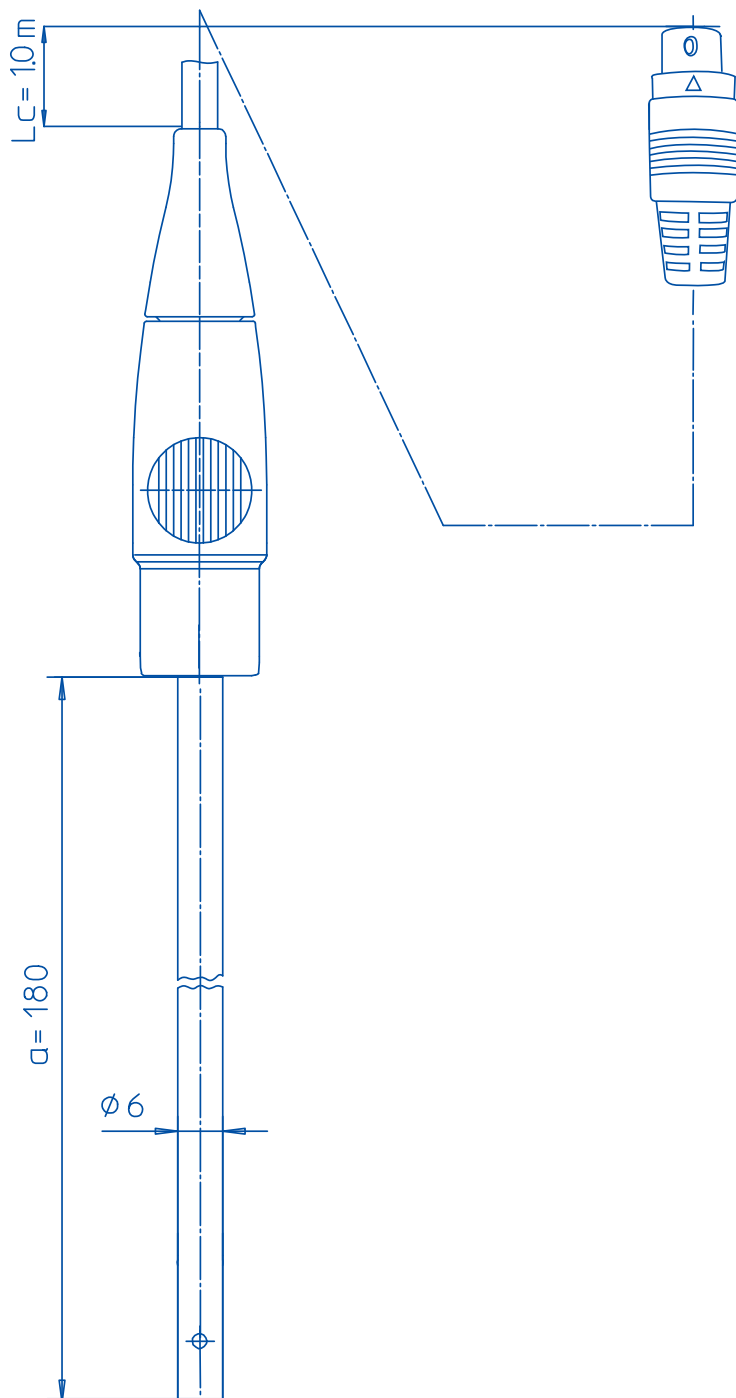


conductivity



Order number 51344031
 former order number

Specifications
 pH range -
 zero point (pH) -

temperature range 0 - 100 °C
 temperature probe NTC 30 kΩ

shaft material glass
 membrane glass -
 membrane resistance -

reference system -
 reference diaphragm -
 reference electrolyte -

bridge electrolyte -

electrode head -
 cable length 1.0 m
 connector Mini-DIN

cell constant (cm⁻¹) 1.0
 cell type 2 platinum poles

indicating metal -

Storage dry

Additional specifications
 semi-micro probe 6 mm
 measuring range 0.01 - 112 mS/cm
 integrated NTC 30 kΩ temperature probe
 minimum depth of immersion: 17 mm

Scale 1:1