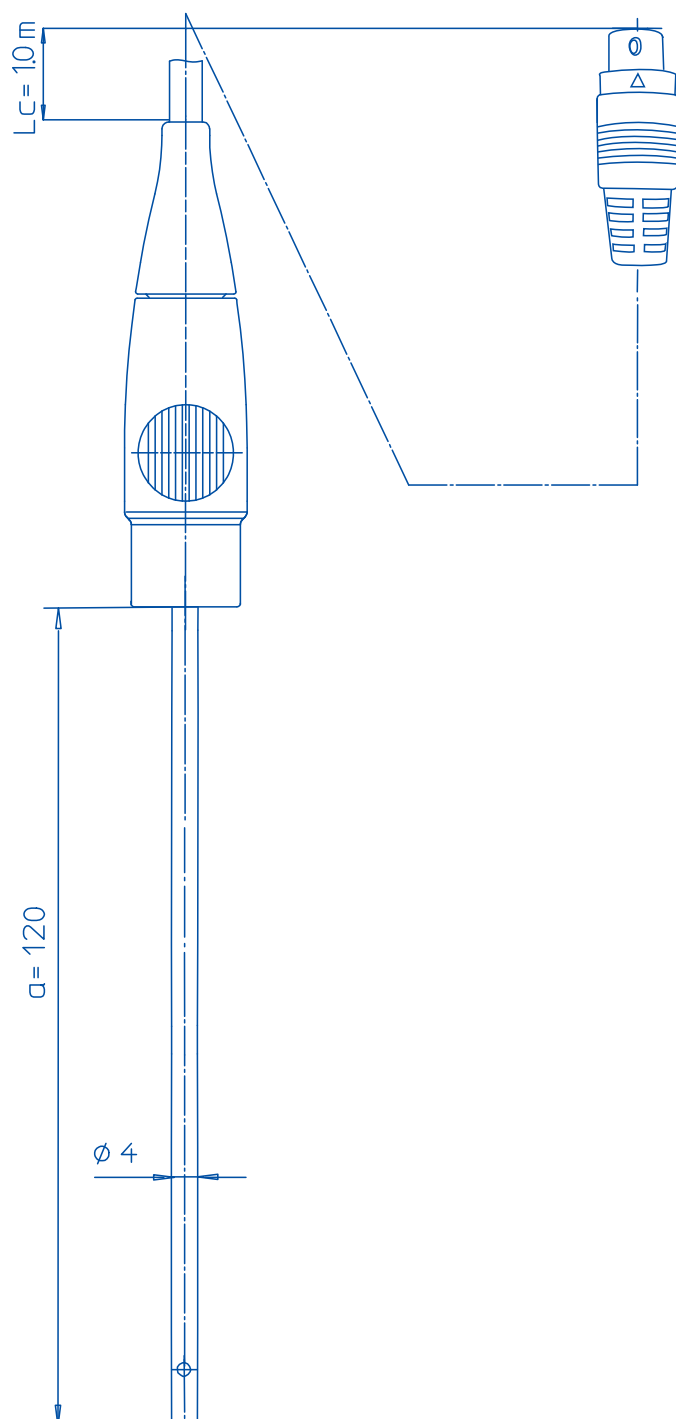


conductivity



Order number 51344030

former order number -

Specifications

pH range -

zero point (pH) -

temperature range 0 - 100 °C

temperature probe NTC 30 kΩ

shaft material glass

membrane glass -

membrane resistance -

reference system -

reference diaphragm -

reference electrolyte -

bridge electrolyte -

electrode head -

cable length 1.0 m

connector Mini-DIN

cell constant (cm⁻¹) 1.0

cell type 2 platinum poles

indicating metal -

Storage dry

Additional specifications

micro probe 4 mm for small sample volumes

measuring range 0.01 - 100 mS/cm

integrated NTC 30 kΩ temperature probe

minimum depth of immersion: 14 mm