

**Order number** 51302255

former order number -

**Specifications**

pH range -

zero point (pH) -

temperature range 0 - 100 °C

temperature probe NTC 30 kΩ

shaft material glass

membrane glass -

membrane resistance -

reference system -

reference diaphragm -

reference electrolyte -

bridge electrolyte -

electrode head -

cable length 1.0 m

connector Mini-DIN

cell constant (cm<sup>-1</sup>) 0.06

cell type 2 platinum poles

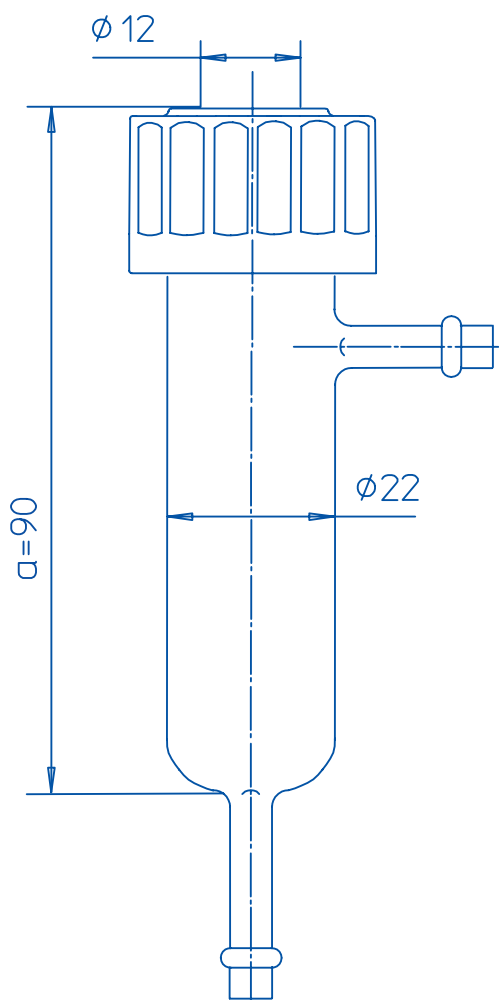
indicating metal -

**Storage** dry

**Additional specifications**

measuring range 0.1 - 500 μS/cm

# Flow cell conductivity



**Order number** 51302257

former order number -

### Specifications

material glass

compatibility electrodes with ø 12 mm

### Special features

recommended in conjunction with InLab® 720  
and InLab® 741

Scale 1:1