

Scale 1:1

Order number 51344026

former order number

Specifications

pH range -

zero point (pH) -

temperature range 0 - 100 °C

temperature probe NTC 30 kΩ

shaft material stainless steel

membrane glass -

membrane resistance -

reference system -

reference diaphragm -

reference electrolyte -

bridge electrolyte -

electrode head -

cable length 5 m

connector Mini-DIN

cell constant (cm⁻¹) 0.105

cell type 2 steel poles

indicating metal -

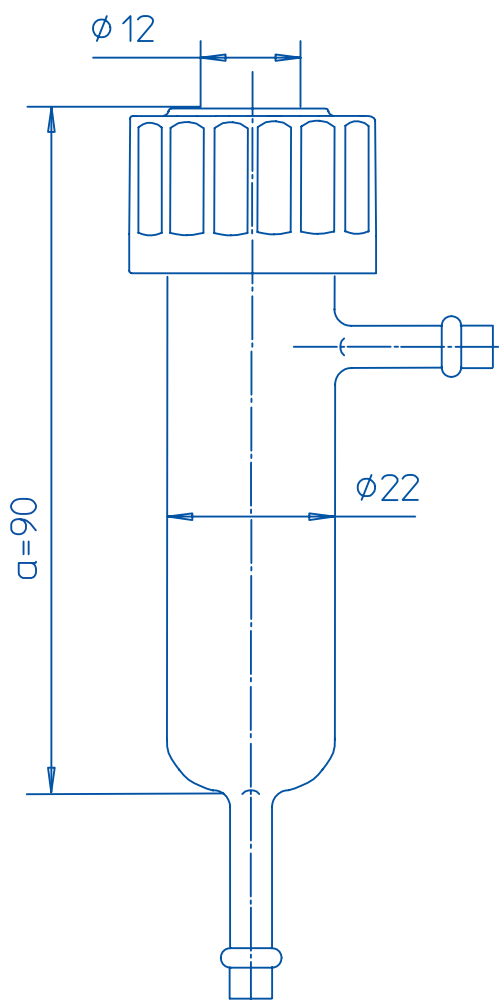
Storage dry

Additional specifications

measuring range 0.001 - 500 µS/cm

Flow cell

conductivity



Order number 51302257

former order number -

Specifications

material glass

compatibility electrodes with \varnothing 12 mm

Special features

recommended in conjunction with InLab® 720 and InLab® 741

Scale 1:1