

Order number 30014094
 former order number

Specifications
 pH range -
 zero point (pH) -

temperature range 0 - 100 °C
 temperature probe NTC 30 kΩ

shaft material stainless steel
 membrane glass -
 membrane resistance -

reference system -
 reference diaphragm -
 reference electrolyte -

bridge electrolyte -

electrode head -
 cable length 1.2 m
 connector Mini-DIN

cell constant (cm⁻¹) 0.105
 cell type 2 steel poles

indicating metal -

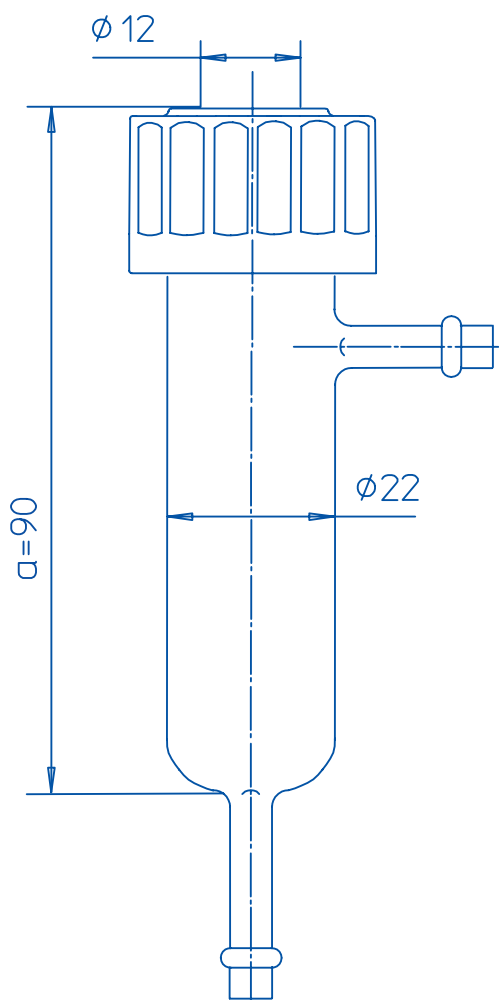
Storage dry

Additional specifications
 measuring range 0.001 - 500 µS/cm
 compatible with appropriate METTLER TOLEDO
 meters with Intelligent Sensor Management
 (ISM) functionality

Scale 1:1

Flow cell

conductivity



Order number 51302257

former order number -

Specifications

material glass

compatibility electrodes with ϕ 12 mm

Special features

recommended in conjunction with InLab® 720 and InLab® 741

Scale 1:1