

Order number 51344024
former order number

Specifications
pH range -
zero point (pH) -

temperature range 0 - 100 °C
temperature probe NTC 30 kΩ

shaft material stainless steel
membrane glass -
membrane resistance -

reference system -
reference diaphragm -
reference electrolyte -

bridge electrolyte -

electrode head -
cable length 1.2 m
connector Mini-DIN

cell constant (cm⁻¹) 0.105
cell type 2 steel poles

indicating metal -

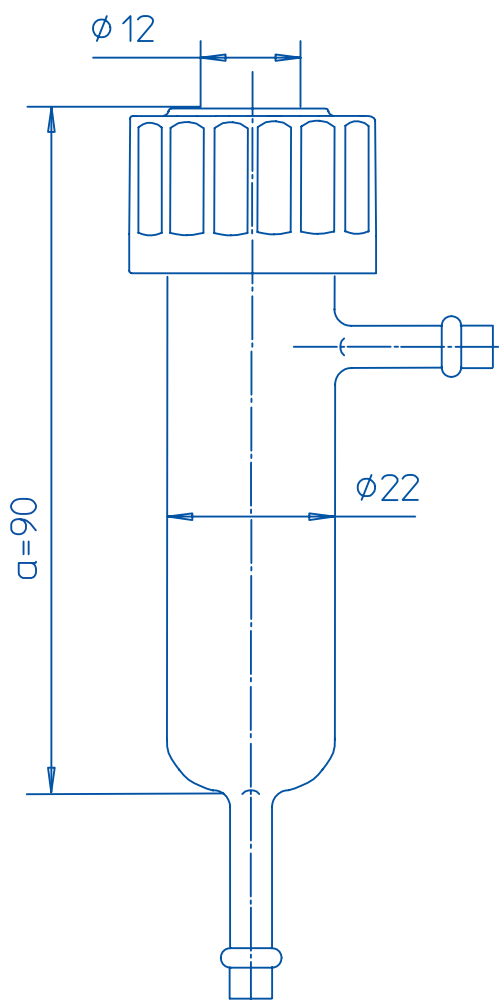
Storage dry

Additional specifications
measuring range 0.001 - 500 μS/cm

Scale 1:1

Flow cell

conductivity



Order number 51302257

former order number -

Specifications

material glass

compatibility electrodes with \varnothing 12 mm

Special features

recommended in conjunction with InLab® 720 and InLab® 741

Scale 1:1