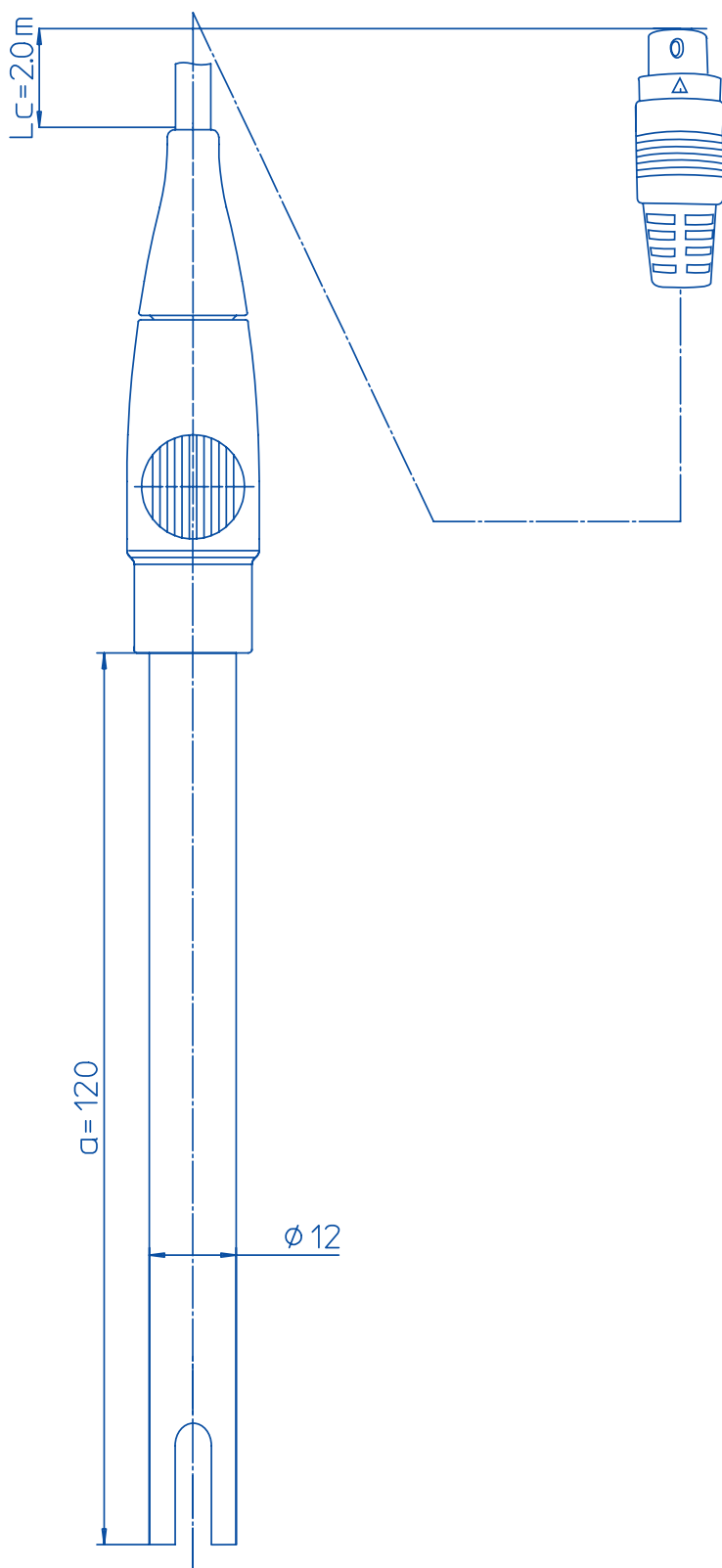


Conductivity



Scale 1:1

Order number 30014093
 former order number -

Specifications
 pH range -
 zero point (pH) -

temperature range 0 - 100 °C
 temperature probe NTC 30 kΩ

shaft material epoxy
 membrane glass -
 membrane resistance -

reference system -
 reference diaphragm -
 reference electrolyte -

bridge electrolyte -

electrode head -
 cable length 2.0 m
 connector Mini-DIN

cell constant (cm⁻¹) 0.57
 cell type 4 graphite poles

indicating metal -

Storage dry

Additional specifications
 measuring range 0.01 - 1000 mS/cm
 compatible with appropriate METTLER TOLEDO
 meters with Intelligent Sensor Management
 (ISM) functionality