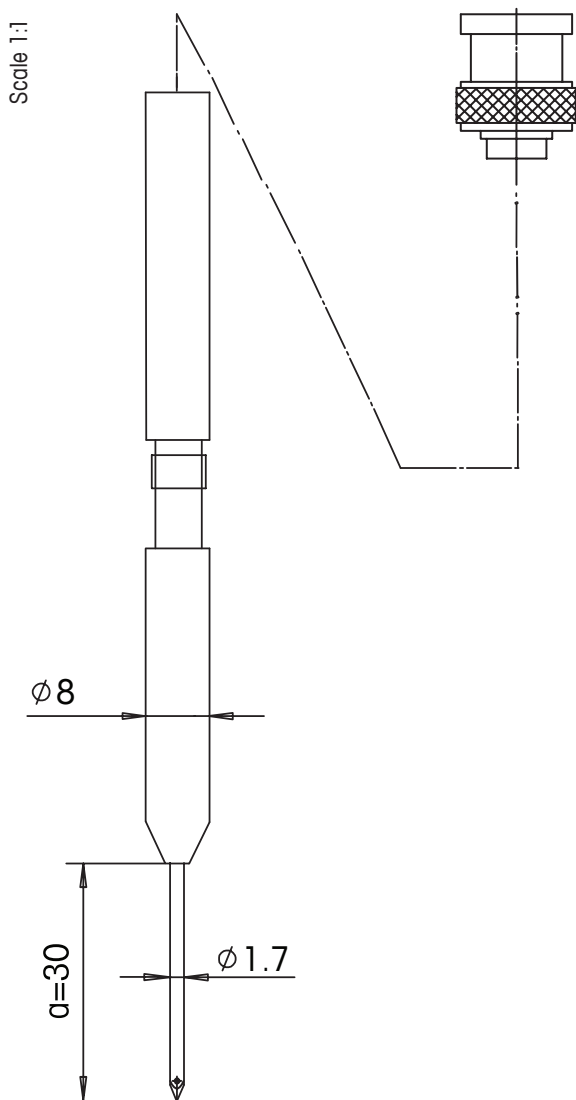


# InLab<sup>®</sup> Nano

pH Ref °C ISM



Micro sensor for very small sample volumes like micro plates, well plates, vials



<b>Sensor type</b>	combined pH electrode
<b>Order number</b>	30092990
<b>Specifications</b>	
pH range	1...14
zero point (pH)	7.00 ± 0.25
temperature range	0...80 °C
temperature probe	-
shaft material	glass
membrane glass	U
membrane resistance	< 250 MΩ
reference system	Ag/AgCl
reference diaphragm	ceramic
reference electrolyte	3 mol/L KCl AgCl saturated
bridge electrolyte	-
electrode head	-
cable length	1.0 m
connector	BNC
cell constant (cm <sup>-1</sup> )	-
cell type	-
indicating metal	-
<b>Storage</b>	
InLab storage solution (30111142) or FRISCOLYT-B <sup>®</sup> (51340053)	