

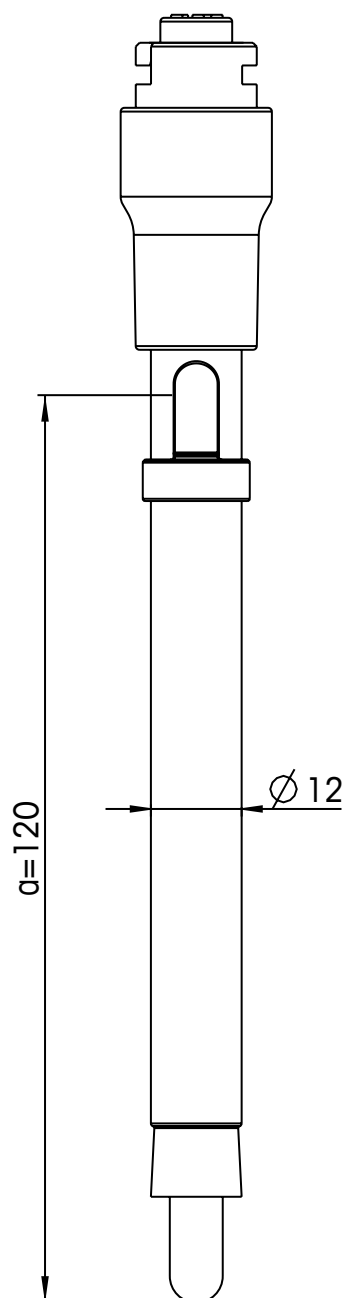
InLab[®] Max Pro-ISM

pH Ref °C ISM



For general laboratory applications;
highly reproducible and fast

Scale 1:1



Sensor type combined pH electrode

Order number 30248830

Specifications

pH range 0...14
zero point (pH) 7.00 ± 0.25

temperature range 0...100 °C
temperature probe NTC 30 kΩ

shaft material glass
membrane glass HA
membrane resistance < 600 MΩ

reference system ARGENTHAL™
reference diaphragm fixed glass sleeve
reference electrolyte 3 mol/L KCl
bridge electrolyte -

electrode head MultiPin™
cable length -
connector -

cell constant (cm⁻¹) -
cell type -

indicating metal -

Storage

InLab storage solution (30111142)
or 3 mol/L KCl (51350072)