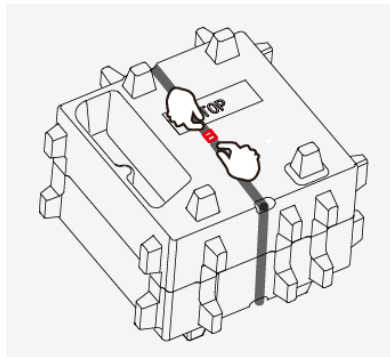
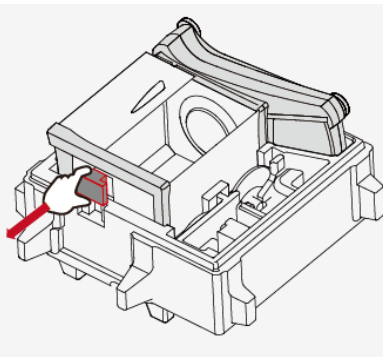


## ASSEMBLY

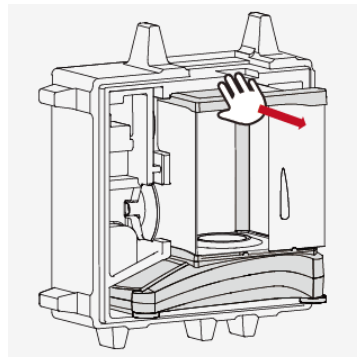
### 1) Unpack the balance



1) Remove the binder



2) Take out the red cube



3) Take out the balance

### For 1mg and 0.1mg Models:



– Wind Ring

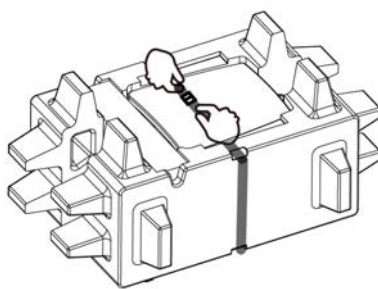


– Weighing pan (90mm) for 0.1mg model

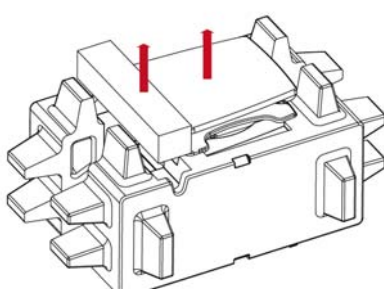


– Weighing pan (130mm) for 1mg model

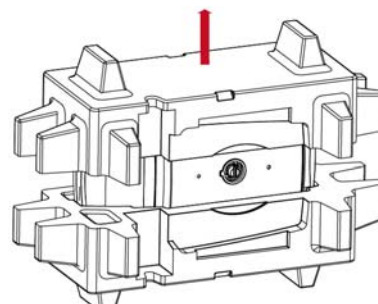
### 2) Install Wing ring and weighing pan



1) Remove the binder



2) Take out the adaptor box and weighing pan

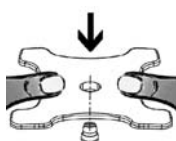


3) Take out the balance

### For 0.1g and 0.01g Models:



– Weighing pan (175x195mm) for 0.1g and 0.01g balance



– Pan support, push the pan support to the end, tightly connect with cone.

# Adventurer™ Balances Quick Start Guide

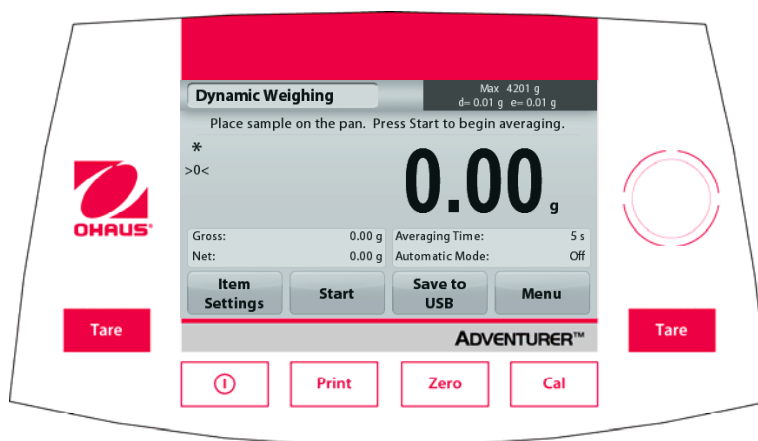
## SAFETY PRECAUTIONS








**CAUTION:** Read all safety warnings before installing, making connections, or servicing this equipment. Failure to comply with these warnings could result in personal injury and/or property damage. Retain all instructions for future reference.

- Verify that the AC adapter's input voltage range and plug type are compatible with the local AC power to be used.
- Make sure that the power cord does not pose a potential obstacle or tripping hazard.
- The balance is for indoor use only.
- Use the balance only in dry locations.
- Do not drop loads on the pan.
- Use only approved accessories and peripherals.
- Operate the equipment only under ambient conditions specified in these instructions.
- Disconnect the equipment from the power supply when cleaning.
- Do not operate the equipment in hazardous or unstable environments.
- Service should only be performed by authorized personnel.
- Do not position the balance such that it is difficult to reach the power connection.

## CONTROLS



Button	Action
	Short Press (if powered Off): Turns on the scale Long Press (if powered On): Turns off the scale <b>Note:</b> The balance will automatically power on when power is connected.
	Short Press: Prints the present data to a printer or a computer.
	Short Press: Perform Zero operation
	Short Press: Perform Calibration operation
	Short Press: Perform Tare operation

# Quick Start Guide Adventurer™ Balances

## Main Application Screen

Application	<b>Dynamic Weighing</b>	Max 4201 g d= 0.01 g e= 0.01 g	Capacity and readability	
Instructional Messages	Place sample on the pan. Press Start to begin averaging.		Result Field: Information varies by application	
Stability (*), Net (NET), Gross (G) and/or center of zero (>0<) indicators	* >0<	<b>0.00 g</b>	Touch <b>g</b> to change unit	
Reference Fields	Gross: 0.00 g Net: 0.00 g	Averaging Time: 5 s Automatic Mode: Off	Application Buttons: Functions vary by	
	<b>Item Settings</b>	<b>Start</b>	<b>Save to USB</b>	<b>Menu</b>

## MENU & SCREEN NAVIGATION

Touch **Menu** to open the menu list.



### Calibration:

Touch to view calibration options.



### Balance Setup:

Touch to view and change balance settings.



### Weighing Units:

Touch to view and change weighing units.



### Data Maintenance:

Touch to view data maintenance settings.



### GLP and GMP Data:

Insert user data for traceability.



### Communication:

Touch to view COM Device Settings and Print Settings.



### Factory Reset:

Touch to do a Factory reset of menu settings.



### Lockout:

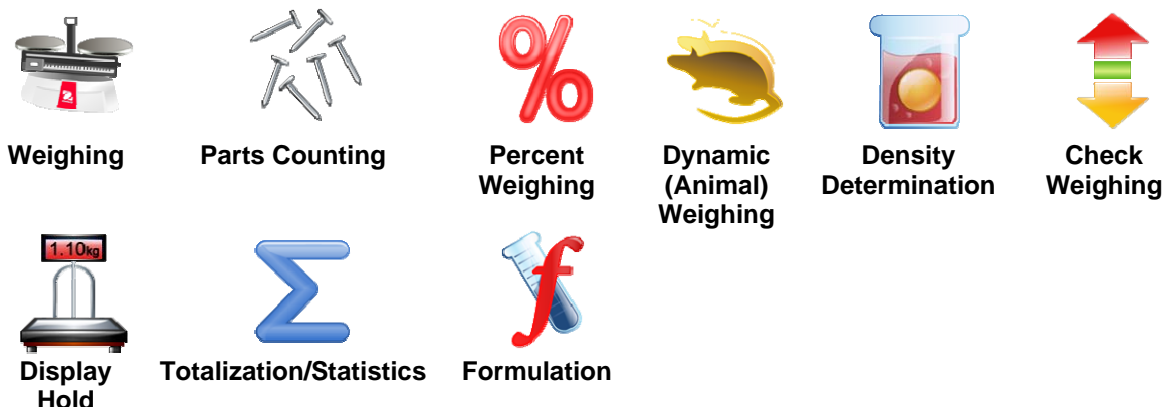
Touch to view lockout options.

## APPLICATIONS

The balance can be configured to operate in various Application modes. Touch the top left Application field (weighing in the example below):



The Adventurer Balance has 9 application modes, as follows:



## Connecting the Interface

Use the built-in RS-232 Port to connect either to a computer or a printer with a standard (straight-through) serial cable. Or connect using the scale's USB port.

Interface connections on the rear of the balance:



USB1

RS232

USB1: Used to connect to PC only  
RS232: Used to connect to PC or Printer

USB connection on the front of the balance:



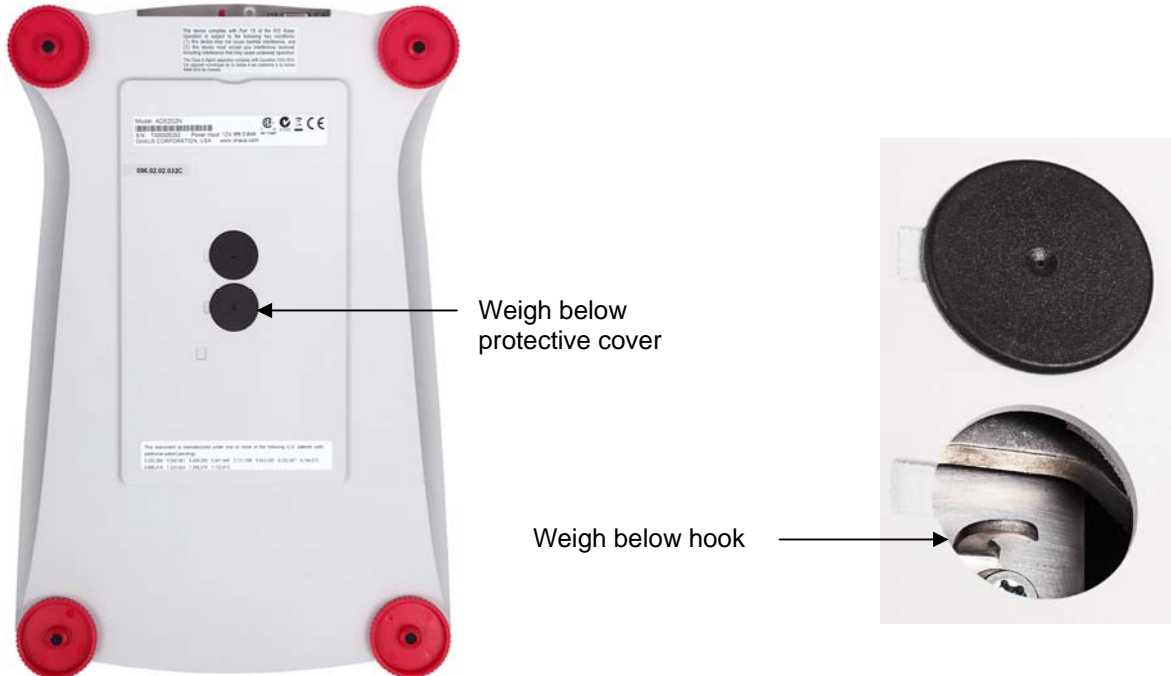
USB2

USB2: Used to connect a USB flash driver only

# Quick Start Guide Adventurer™ Balances

## Weigh Below Hook

To use this feature, remove power from the balance, then remove the protective cover for the weigh below opening.



# **Adventurer™ Balances** *Quick Start Guide*

---



Ohaus Corporation  
7 Campus Drive  
Suite 310  
Parsippany, NJ 07054 USA  
Tel: (973) 377-9000  
Fax: (973) 944-7177

With offices worldwide.  
[www.ohaus.com](http://www.ohaus.com)



\* 3 0 1 1 1 7 6 0 \*

P/N 30111760A © 2014 Ohaus Corporation, all rights reserved.