



7000 Series

T72XW Indicator



Advanced performance stainless steel indicator with external device control capabilities

The OHAUS T72XW indicator provides flexibility, performance and operation necessary for specific applications with connectivity and data output capabilities including over/under checkweighing, animal weighing and counting. The 7000 series indicator has multiple functions, intuitive software, multiple connectivity options, and the durability to stand up to the wear and tear of industrial locations.

Standard Features Include:

- **High Resolution and Multi Load Cell Support for Higher Capacity Industrial Weighing**—With a 50,000 displayed resolution and the ability to support up to 10 load cells, T72XW was designed for heavy-duty industrial applications.
- **Multiple Connectivity Interfaces Support Complex Applications**—Two available option slots enable a wide range of connectivity interfaces. Control external devices using the discrete I/O interface and transfer data through the serial, USB or Ethernet ports.
- **Advanced Applications with Intuitive Navigation**—T72XW is very easy to set up and navigate, a vivid graphic display with on-screen prompts and an alphanumeric keypad with designated keys for common functions such as Tare and ID information.
- **Customized Features Provide a User-Friendly Experience**—Helpful functions such as print templates with customization options, report view and print modes, diagnostic and maintenance modes and password protection are standard.

7000 Series T72XW Indicator

| Model | T72XW |
|--------------------------------|--|
| Capacity | Up to 998000 (t, kg, g or lb) |
| Maximum Displayed Resolution | 1:50,000 |
| Maximum Approved Resolution | 1:6,000 (EC, OIML) |
| Weighing Units | kg, lb, oz, lb-oz, g, ton, t |
| Weighing Modes | Animal Weighing, Parts Counting, Checkweighing |
| Display | Transflective graphic LCD with white backlight, 240 x 96 pixels |
| Under/Accept/Over indicators | 3 Zones, up to 25 targets |
| Controls | 8 function, 4 navigation, 12 alpha numeric membrane switches |
| Ingress Protection | IP66 |
| Load Cell Excitation Voltage | 10 VDC |
| Load Cell Drive | Up to 10 x 350 ohm load cells |
| Load Cell Input Sensitivity | Up to 3 mV/V |
| Stabilization Time | Within 2 seconds |
| Auto-Zero Tracking | Off, 0.5d, 1d, 3d or 10d |
| Zeroing Range | +/-2% or +/-20% of capacity |
| Interfaces | RS232 (included), SD card (included), Ethernet (optional) , USB with Discrete I/O (optional), Second RS232/RS485 (optional) |
| Operating Temperature Range | -10 °C to 40 °C |
| Main Power | 100-240 V ~ 0.15 A 50/60 Hz internal power supply |
| Housing dimensions (W x D x H) | 283 x 86 x 232 mm |
| Net weight | 3 kg |
| Shipping weight | 3.4 kg |
| Shipping Dimensions | 324W x 240D x 187H mm |

Additional Features

Check weighing lights with selectable operation and audible signal settings, sealed front panel, five operating languages (English, Spanish, French, German and Italian), selectable environmental and auto-print settings, stability indicator, overload/underload indicators

Approvals

- **Metrology:** EN 45501 (TC8509, T5980), OIML R76-1, (R76/2006-NL 1-14.04), (Class III, n_{max} 6000)
- **Product Safety:** UL, cUL, CE
- **Electromagnetic Compatibility:** FCC Part 15 Class A, ICES-001 Class A, IEC 61326-1 (emissions Class B, immunity Industrial requirements)

Options and Accessories

Interface Options

Ethernet Kit, T72XW 30132163

USB with I/O kit, T72XW 30132164

COM2 Kit, T72XW 30132165

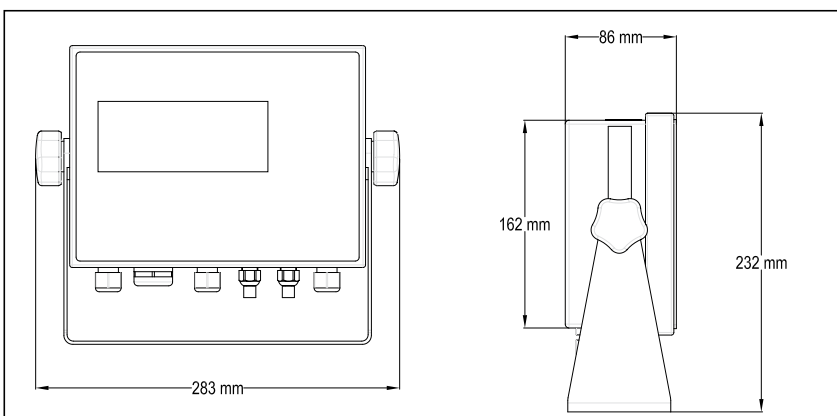
Mounting Accessories

Column Mount Kit, 35cm, stainless steel, SST, T51XW T71XW, T72XW 80500725

Column Mount Kit, 68cm, SST, T51XW T71XW, T72XW 80500726

Compatible with all existing columns for D31/D51/CKW

Dimensions



OHAUS Europe GmbH
Im Langacher 44
8606 Greifensee
Switzerland

e-mail: ssc@ohaus.com
Tel: 0041 22 567 53 19
e-mail: tsc@ohaus.com
Tel: 0041 22 567 53 20

www.ohaus.com
OHAUS Corporation is an
ISO certified company

ISO 9001:2008
Registered Quality
Management System

