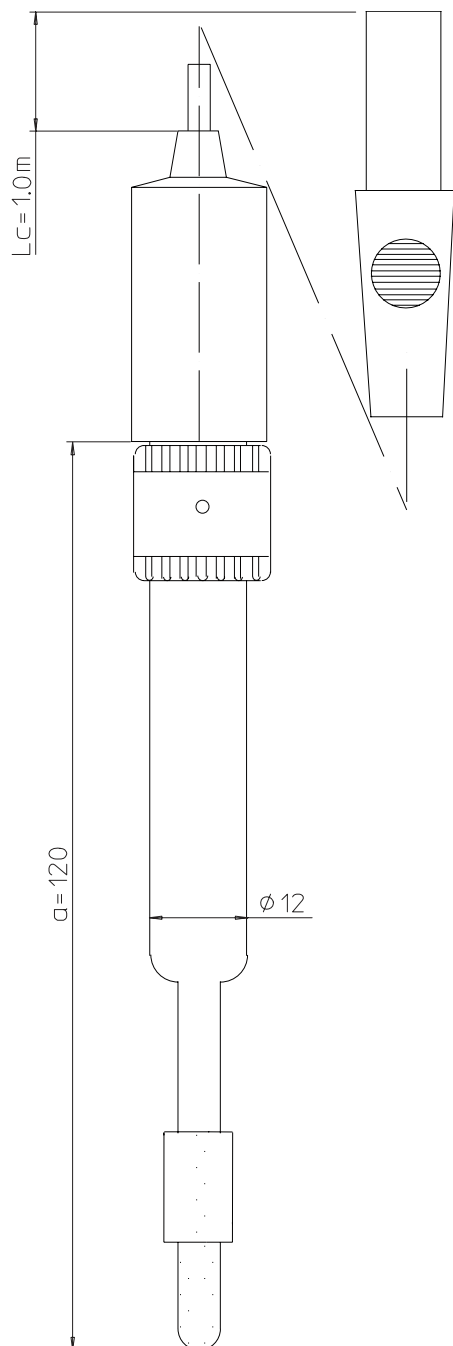


# LE420 - DIN

2-in-1

pH



**Order number** 51340345

former order number -

### Specifications

pH range 0 - 14

zero point (pH) 7.00 ± 0.25

temperature range 0 - 80 °C

temperature probe -

shaft material Glass

membrane glass HA

membrane resistance < 600 MΩ

reference system Ag / AgCl

reference diaphragm Movable PTFE sleeve

reference electrolyte 3 mol/L KCl

bridge electrolyte -

electrode head -

cable length 1.0 m

connector DIN

cell constant (cm<sup>-1</sup>) -

cell type -

indicating metal -

**Storage** 3 mol/L KCl

### Special features

Movable PTFE reference junction

Suitable for low hydrogen concentrations

Scale 1:1