

Cat. No	Description	Articles
---------	-------------	----------

DAIHAN-brand® Analog Ultrasonic Cleaners, “WUC-A”, Timer/Temp. Output Controller, with Certi. & Traceability with Stainless steel Flat Lid, Highly Effective Cleaning, up to 85 °C, 0~30min, 28 /40kHz Frequency, without Basket

- with Certificate & Traceability : Controlled by Serial Number, Certificate, Delivery-information, and Traceable Data Base System
- Made of Stainless steel, Finished Surface
- Analog Controller, Timer, Temperature and Output Control
- CE Certified ■ PL(Product Liability) Insurance

- * Useful for Cleaning to Remove Dirt, Grease, Waxes and Oil from all Lab Instruments by Ultrasonic Frequency
- * Made of Stainless steel, Finished Surface
- * Analog Controller, Timer, Temperature and Output Control
- * Temperature Range from Ambient to 85 °C. (1.2 & 1.8 Lit. : 65 °C Fixed)
- * Convenient Preset Function : Heating and Timer
- * HF-Frequency : 40kHz
- * Bottom-Mounted Drain (WUC-A10H and WUC-A22H)
- * Maximum 30 minutes of Cleaning Time (Except WUC-A10H)

Specification

Capacity & Models	1.2 Lit. “WUC-A01H”	1.8 Lit. “WUC-A02H”	3.3 Lit. “WUC-A03H”	6 Lit. “WUC-A06H”	10 Lit. “WUC-A10H”	22 Lit. “WUC-A22H”
Frequency	40KHz					
HF-Peak Out	72 W	75 W	124 W	168 W	265 W	379 W
Heating Temp.	65°C Fixed	65°C Fixed	ambient to 85 °C	ambient to 85 °C	ambient to 85 °C	ambient to 85 °C
Heating Power	86 W	86 W	172 W	172 W	258 W	275 W
Timer	None	0~30 min.	0~30 min.	0~30 min.	0~30 min.	0~30 min.
Drain-Valve	None	None	None	None	1/2" NPT	1/2" NPT
Tank Size inner (w×d×h) (mm)	150×135×60	150×135×100	240×140×100	290×150×150	290×240×150	500×300×150
Weight	1.8 kg	2.5 kg	4 kg	5.3 kg	7 kg	11 kg
Packing Dimension (w×d×h) (cm)	20×20×19	20×20×24	32×20×29	37×22×35	43×32×36	64×38×37
Gross Weight	3 kg	4 kg	5 kg	6 kg	7 kg	11 kg
Power Consumption	158 W	161 W	296 W	340 W	523 W	654 W
Power Supply	1 Phase, AC 120 V, 60 Hz or AC 230 V, 50 / 60 Hz					

* Other Specifications are available upon Customer's Request.

Ordering Information

Analog Ultrasonic Cleaner, with Flat Lid, without Wire Basket

- DH.WUC.A01H Ultrasonic Cleaner, 230V, “WUC-A01H”, 1.2 Lit,
- DH.WUC.A02H , “WUC-A02H”, 1.8 Lit.
- DH.WUC.A03H , “WUC-A03H”, 3.3 Lit.
- DH.WUC.A06H , “WUC-A06H”, 6 Lit.
- DH.WUC.A10H , “WUC-A10H”, 10 Lit.
- DH.WUC.A22H , “WUC-A22H”, 22 Lit.
- DH.WUC.A101H Ultrasonic Cleaner, 120V, “WUC-A01H”, 1.2 Lit.
- DH.WUC.A102H , “WUC-A02H”, 1.8 Lit.
- DH.WUC.A103H , “WUC-A03H”, 3.3 Lit.
- DH.WUC.A106H , “WUC-A06H”, 6 Lit.
- DH.WUC.A110H , “WUC-A10H”, 10 Lit.
- DH.WUC.A122H , “WUC-A22H”, 22 Lit.

Optional Wire Baskets, Stainless steel

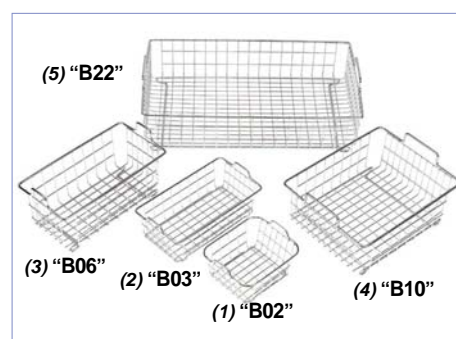
- DH.WUC.B02 (1) Basket, Wire, “B02”, for 1.8 Lit., 120 × 105 × h65mm
- DH.WUC.B03 (2) , “B03”, for 3.3 Lit., 215 × 115 × h65mm
- DH.WUC.B06 (3) , “B06”, for 6 Lit., 247 × 123 × h96mm
- DH.WUC.B10 (4) , “B10”, for 10 Lit., 262 × 206 × h93mm
- DH.WUC.B22 (5) , “B22”, for 22 Lit., 452 × 263 × h93mm



Analog Ultrasonic Cleaner “WUC-A10H” with Flat Lid



Analog Ultrasonic Cleaner “WUC-A06H” with Flat Lid



Stainless steel Wire Baskets (Optional)