

DAIHAN-brand® 50 Lit. Digital Rotary Evaporator, "WEV-1050" Large Capacity, Vertical Type, with Electric & Manual Lift Bath NEW  
 대용량 회전식 증발 농축기, Digital Controlled Stainless steel Bath 99°C, 10~110 rpm, 19 Lit/h, with Certi. & Traceability, Cooling Surface 14,500 cm<sup>2</sup>

NEW

**Wisdom**  
 2-Year Warranty



Digital Rotary Evaporator, Large Capa.  
 "WEV-1050", 50 Lit.

- with Certificate & Traceability :  
 Controlled by Serial Number, Certificate, Delivery-information, and Traceable Data Base System
- Ideal for Distill of (Mixed) Solvent, Condensation Solution and Suspension, Concentrate Liquid, Re-crystallization, Dry Powder and Granulate, Synthesize Chemical, Soxhlet Extraction, Recycle Solve
- Cooling Surface : 14,500 cm<sup>2</sup>
- Large Capacity & Diameter Rotary Evaporator Flask - 50Lit.
- Teflon (PTFE) and Fluorine Rubber Dual Rotating Seal, Patented Technology to Ensure High Vacuum.
- Stainless steel Water Bath - Electric & Manual Lift, Easy to Use

- \* The Introduction of Foreign Advanced Frequency Control System, Temperature Control System, Accurate and Reliable.
- \* A Vacuum Switching Valve, without Affecting the System Vacuum Distillation of the Situation and the Solution can be Continuously Collected.
- \* Water Bath Electric Lift and Manual Lift Support, Easy to Use.
- \* PTEE Discharge Valve, Corrosion Resistance, Pollution-free.
- \* This Rotary Evaporator could Set with Circulation Aspirator Pump (P. 72)

Specification

Spec.	Model	"WEV-1050"
Rotary Bottle		50 Lit., Flange Opening φ 125 mm
Collecting Bottle		20 Lit.
Condenser		Standing, Main & Auxiliary Cooling and Highly Efficient 3 Circulating Cold Trap
Temp. Range		0°C ~ 99°C
Rotary Speed		10 ~ 110 rpm
Evaporating Capability		Water : 9 Lit./h, Alcohol : 19 Lit./h
Cooling Surface		Main Condensr 9,500 cm <sup>2</sup> Auxiliary Condensr 5,000 cm <sup>2</sup>
Achievable Vacuum		399.9Pa(below 3mmHg)
Functional of Lifting Table		Electric & Manual
Elevating Stroke		0 ~ 230 mm
Vacuum Sealing		PTFE and Fluorine Rubber Dual Rotating Seal
Motor		Phase AD Induction Motor
		90 W
Heating Boiler		Stainless steel Water Bath
Display		Digital display
Power Consumption		8.3 KW
Dimension (mm)		1320×770×h2340
Power Supply & Cord Plug		380V, 50Hz

Ordering Information

DH.WEV01050 Digital Rotary Evaporator, Large Capa., 50Lit., "WEV-1050", 380V

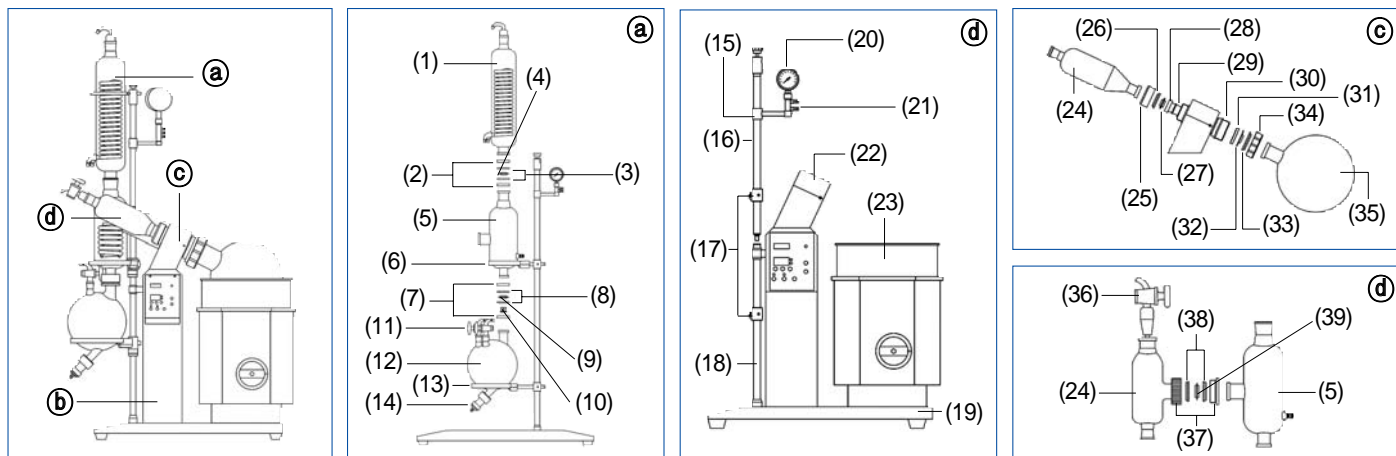
<b>Ea. Price, ₩</b>
17,182,200

The Details of Spare Parts : Please See the Just Next Page

<다음 Page에 계속>

앞 페이지 <DAIHAN-brand® 50 Lit. Digital Rotary Evaporator, “WEV-1050” Large Capacity 에서 계속... >

### The Details of Spare Parts for 50 Lit. Digital Rotary Evaporator “WEV-1050” models



### Ordering Information

Seq. No.	Cat. No.	Description	Ea. Price, ₩
(1)	DH.Ev1050.A01	Glass Condenser(Main), $\phi 165 \times 830$ mm, for “WEV-1050”	인터넷쇼핑몰 가격참조
(2)	DH.Ev1050.A02	Connection Flange Set(80#), Aluminum, $\phi 110 \times 15$ mm, for “WEV-1050”	인터넷쇼핑몰 가격참조
(3)	DH.Ev1050.A03	Flange Retaining Ring(80#), EPDM, $\phi 86.5 \times 10$ mm, for “WEV-1050”	인터넷쇼핑몰 가격참조
(4)	DH.Ev1050.A04	Flange Seal(80#), PTFE, $\phi 75 \times 12.5$ mm, for “WEV-1050”	인터넷쇼핑몰 가격참조
(5)	DH.Ev1050.A05	Auxiliary Glass Condenser, $\phi 165 \times 585$ mm, for “WEV-1050”	인터넷쇼핑몰 가격참조
(6)	DH.Ev1050.A06	Auxiliary Glass Condenser Tray, EPDM, $\phi 167$ mm, for “WEV-1050”	인터넷쇼핑몰 가격참조
(7)	DH.Ev1050.A02	Connection Flange Set(80#), Aluminum, $\phi 110 \times 15$ mm, for “WEV-1050”	인터넷쇼핑몰 가격참조
(8)	DH.Ev1050.A03	Flange Retaining Ring(80#), EPDM, $\phi 86.5 \times 10$ mm, for “WEV-1050”	인터넷쇼핑몰 가격참조
(9)	DH.Ev1050.A04	Flange Seal(80#), PTFE, $\phi 75 \times 12.5$ mm, for “WEV-1050”	인터넷쇼핑몰 가격참조
(10)	DH.Ev1050.A10	Automatic Switching Valve, $\phi 40 \times 24$ mm, for “WEV-1050”	인터넷쇼핑몰 가격참조
(11)	DH.Ev1050.A11	Glass Bleed Valve(24#), for “WEV-1050”	인터넷쇼핑몰 가격참조
(12)	DH.Ev1050.A12	Glass Receiving Bottle, 2Lt., for “WEV-1050”	인터넷쇼핑몰 가격참조
(13)	DH.Ev1050.A13	Glass Receiving Bottle Tray, $\phi 332$ mm, for “WEV-1050”	인터넷쇼핑몰 가격참조
(14)	DH.Ev1050.A14	Discharge Valve, PTFE, $\phi 68 \times 100$ mm, for “WEV-1050”	인터넷쇼핑몰 가격참조
(15)	DH.Ev1050.A15	Condenser Clamp, SUS304, 150-220, for “WEV-1050”	인터넷쇼핑몰 가격참조
(16)	DH.Ev1050.A16	Stand Pole, SUS304, $\phi 25 \times 1017$ mm, for “WEV-1050”	인터넷쇼핑몰 가격참조
(17)	DH.Ev1050.A17	Stand Folder, SUS304, $\phi 25 \times \phi 12$ mm, for “WEV-1050”	인터넷쇼핑몰 가격참조
(18)	DH.Ev1050.A18	Under Stand Pole, SUS304, $\phi 25 \times 1024$ mm, for “WEV-1050”	인터넷쇼핑몰 가격참조
(19)	DH.Ev1050.A19	Stand Base, Carbon Steel, $1022 \times 486$ mm, for “WEV-1050”	인터넷쇼핑몰 가격참조
(20)	DH.Ev1010.A20	Vacuum Gauge, $\phi 100$ mm, for “WEV-1010”, “WEV-1020”, “WEV-1050”	인터넷쇼핑몰 가격참조
(21)	DH.Ev1050.A21	Vacuum Gauge Holder, Copper, $\phi 25 \times \phi 12$ mm, for “WEV-1050”	인터넷쇼핑몰 가격참조
(22)	DH.Ev1050.A22	Machine Head Capsule, Aluminum, $300 \times 100 \times 230$ mm, for “WEV-1050”	인터넷쇼핑몰 가격참조
(23)	DH.Ev1050.A23	Water Bath, SUS304, for “WEV-1050”	인터넷쇼핑몰 가격참조
(24)	DH.Ev1050.A24	3-way Glass Bottles, $\phi 100 \times 358$ mm, for “WEV-1050”	인터넷쇼핑몰 가격참조
(25)	DH.Ev1050.A25	Fixed Nut, for 3-way Glass Bottles, Aluminum, $\phi 105 \times 31$ mm, for “WEV-1050”	인터넷쇼핑몰 가격참조
(26)	DH.Ev1050.A26	Fixed Nut Retainer Ring, PA, $\phi 90 \times 11$ mm, for “WEV-1050”	인터넷쇼핑몰 가격참조
(27)	DH.Ev1050.A27	Flange Seals, PTFE, $\phi 65 \times 12.5$ mm, for “WEV-1050”	인터넷쇼핑몰 가격참조
(28)	DH.Ev1050.A28	Rotation Glass Axis, $\phi 69 \times 210$ mm, for “WEV-1050”	인터넷쇼핑몰 가격참조
(29)	DH.Ev1050.A29	O-ring, EPDM, $\phi 55 \times 3$ mm, for “WEV-1050”	인터넷쇼핑몰 가격참조
(30)	DH.Ev1050.A30	Couplings, SUS304, $\phi 144 \times 42$ mm, for “WEV-1050”	인터넷쇼핑몰 가격참조
(31)	DH.Ev1050.A31	Main Vacuum Seal, PTFE, $\phi 125 \times 10$ mm, for “WEV-1050”	인터넷쇼핑몰 가격참조
(32)	DH.Ev1050.A32	Deputy Vacuum Seal, PTFE, $\phi 125 \times 10$ mm, for “WEV-1050”	인터넷쇼핑몰 가격참조
(33)	DH.Ev1050.A33	Retaining Ring, PA, $\phi 134 \times 16$ mm, for “WEV-1050”	인터넷쇼핑몰 가격참조
(34)	DH.Ev1050.A34	Rotating Shaft Nut, PA, $\phi 175 \times 45$ mm, for “WEV-1050”	인터넷쇼핑몰 가격참조
(35)	DH.Ev1050.A35	Glass Revolving Bottle, 50Lit., for “WEV-1050”	인터넷쇼핑몰 가격참조
(36)	DH.Ev1050.A36	Glass Feeding Valve(34#), for “WEV-1050”	인터넷쇼핑몰 가격참조
(37)	DH.Ev1010.A32	Connection Flange Set(60#), $\phi 90 \times 12$ mm, for “WEV-1010”, “WEV-1020”, “WEV-1050”	인터넷쇼핑몰 가격참조
(38)	DH.Ev1010.A33	Flange Retaining Ring(60#), EPDM, $\phi 70 \times 10$ mm, for “WEV-1010”, “WEV-1020”, “WEV-1050”	인터넷쇼핑몰 가격참조
(39)	DH.Ev1010.A34	Flange Gasket(60#), PTFE, $\phi 55 \times 12.5$ mm, for “WEV-1010”, “WEV-1020”, “WEV-1050”	인터넷쇼핑몰 가격참조