

DAIHAN-brand® 10-/20-Lit. Digital Rotary Evaporator, "WEV-1010", "WEV-1020" Large Capacity, Vertical -type **NEW**

Digital Controlled Stainless steel Bath 99 °C, with Electric Lift Bath, 10~130 rpm



Digital Rotary Evaporator, Large Capa.
"WEV-1010" 10Lit., "WEV-1020" 20 Lit.

Wisdom
2-Year Warranty

- with Certificate & Traceability :
Controlled by Serial Number, Certificate, Delivery-information, and Traceable Data Base System
 - Ideal for Distill of (Mixed) Solvent, Condensation Solution and Suspension, Concentrate Liquid, Re-crystallization, Dry Powder and Granulate, Synthesize Chemical, Soxhlet Extraction, Recycle Solve
 - Cooling Surface : "WEV-1010" total 6,500 cm²
"WEV-1020" total 11,500 cm²
 - Teflon (PTFE) and Fluorine Rubber Dual Rotating Seal, Patented Technology to ensure High Vacuum.
 - A Vacuum Switching Valve, without Affecting the System Vacuum Distillation of the Situation and the Solution can be Continuously Collected.
 - Stainless steel Water Bath Electric Lift, Easy to Use.
- * Water Bath Electric Lift, Easy to Use.
 * The Introduction of Foreign Advanced Frequency Control System, Temperature Control System, Accurate and Reliable.
 * A Vacuum Switching Valve, without Affecting the System Vacuum Distillation of the Situation and the Solution can be Continuously Collected.
 * PTFE Discharge Valve, Corrosion Resistance, Pollution-free.
 * These Rotary Evaporators could Set with Circulation Aspirator Pump (P. 60)

Specification

Spec.	Model	"WEV-1010"	"WEV-1020"
Evaporating Flask		10 Lit., Flange Opening φ 95 mm	20 Lit., Flange Opening φ 95 mm
Receiving Flask		5 Lit.	10 Lit.
Condenser		Standing, Main & Auxiliary Cooling and Highly Efficient 3 Circulating Cold Trap	
Temp. Range		Ambient Temperature +5 °C ~ 99 °C	
Rotary Speed		10 ~ 130 rpm	
Evaporating Capability		Water : 3.2 Lit./h, Alcohol : 6.5 Lit./h	Water : 5 Lit./h, Alcohol : 11 Lit./h
Cooling Surface		Main Condenser 4,500 cm ² Auxiliary Condenser 2,000 cm ²	Main Condenser 8,000 cm ² Auxiliary Condenser 3,500 cm ²
Achievable Vacuum		399.9Pa(below 3mmHg)	
Functional of Lifting Table		Electric	
Elevating Stroke		0 ~ 160 mm	0 ~ 190 mm
Vacuum Sealing		PTFE and Fluorine Rubber Dual Rotating Seal	
Motor		Phase AD Induction Motor	
		90 W	180 W
Heating Boiler		Stainless steel Water Bath	
Display		Digital display	
Power Consumption		4.8 KW	6.3 KW
Dimension (mm)		920×550×h1700	1250×600×h2100
Power Supply & Cord Plug		220V, 50Hz	380V, 50Hz

Ordering Information

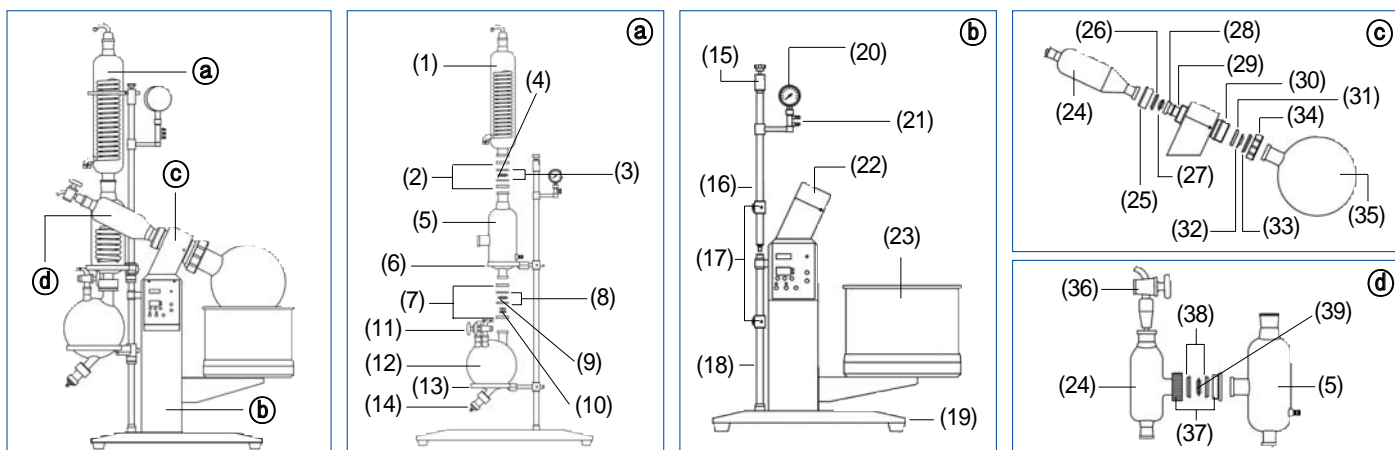
DH.WEV01010 Digital Rotary Evaporator, Large Capa., "WEV-1010", 10Lit., 220V
 DH.WEV01020 , "WEV-1020", 20Lit., 380V

The Details of Spare Parts : Please See the Next Page

<Continued on next page>

<Continued from... DAIHAN-brand® 10-/20-Lit. Digital Rotary Evaporator, "WEV-1010", "WEV-1020">

The Details of Spare Parts for 10-/20-Lit. Digital Rotary Evaporator "WEV-1010" & "WEV-1020" models



Seq. No.	Cat. No.	Description
(1)	DH.Ev1010.A01	Glass Condenser(Main), $\phi 120 \times 575$ mm, for "Ev-1010"
(1)	DH.Ev1020.A01	Glass Condenser(Main), $\phi 135 \times 738$ mm, for "Ev-1020"
(2)	DHEv1010.A02	Connection Flange Set(50#), Aluminum, $\phi 82 \times 10$ mm, for "Ev-1010"
(2)	DH.Ev1020.A02	Connection Flange Set(80#), Aluminum, $\phi 110 \times 15$ mm, for "Ev-1020"
(3)	DH.Ev1010.A03	Flange Retaining Ring(50#), EPDM, $\phi 60 \times 6$ mm, for "Ev-1010"
(3)	DH.Ev1020.A03	Flange Retaining Ring(80#), EPDM, $\phi 86.5 \times 10$ mm, for "Ev-1020"
(4)	DH.Ev1010.A04	Flange Gasket(50#), PTFE, $\phi 45 \times 12$ mm, for "Ev-1010"
(4)	DH.Ev1020.A04	Flange Gasket(80#), PTFE, $\phi 75 \times 12.5$ mm, for "Ev-1020"
(5)	DH.Ev1010.A05	Auxiliary Glass Condenser, $\phi 134 \times 400$ mm, for "Ev-1010"
(5)	DH.Ev1020.A05	Auxiliary Glass Condenser, $\phi 165 \times 575$ mm, for "Ev-1020"
(6)	DH.Ev1010.A06	Auxiliary Glass Condenser Tray, EPDM, $\phi 116$ mm, for "Ev-1010"
(6)	DH.Ev1020.A06	Auxiliary Glass Condenser Tray, EPDM, $\phi 150$ mm, for "Ev-1020"
(7)	DH.Ev1010.A02	Connection Flange Set(50#), Aluminum, $\phi 82 \times 10$ mm, for "Ev-1010", "Ev-1020"
(8)	DH.Ev1010.A03	Flange Retaining Ring(50#), EPDM, $\phi 60 \times 6$ mm, for "Ev-1010", "Ev-1020"
(9)	DH.Ev1010.A04	Flange Gasket(50#), PTFE, $\phi 45 \times 12$ mm, for "Ev-1010", "Ev-1020"
(10)	DH.Ev1010.A10	Automatic Switching Valve, $\phi 31 \times 23$ mm, for "Ev-1010", "Ev-1020"
(11)	DH.Ev1010.A11	Glass Bleed Valve(19#), for "Ev-1010", "Ev-1020"
(11)	DH.Ev1020.A11	Glass Bleed Valve(24#), for "Ev-1010", "Ev-1020"
(12)	DH.GL22097	DURAN glass Receiving Flask, 5Lit., for "Ev-1010"
(12)	DH.GL22098	DURAN glass Receiving Flask, 10Lit., for "Ev-1020"
(13)	DH.Ev1010.A13	Glass Receiving Flask Tray, $\phi 227$ mm, for "Ev-1010", "Ev-1020"
(14)	DH.Ev1010.A14	Discharge Valve, PTFE, $\phi 56 \times 120$ mm, for "Ev-1010"
(14)	DH.Ev1020.A14	Discharge Valve, PTFE, $\phi 56 \times 120$ mm, for "Ev-1020"
(15)	DH.Ev1010.A15	Condenser Clamp, SUS304, 113-140, for "Ev-1010", "Ev-1020"
(16)	DH.Ev1010.A16	Stand Pole, SUS304, $\phi 25 \times 697$ mm, for "Ev-1010", "Ev-1020"
(17)	DH.Ev1010.A17	Stand Folder, SUS304, $\phi 25 \times \phi 12$ mm, for "Ev-1010", "Ev-1020"
(18)	DH.Ev1010.A18	Under Stand Pole, SUS304, $\phi 25 \times 704$ mm, for "Ev-1010", "Ev-1020"
(19)	DH.Ev1010.A19	Stand Base, Carbon Steel, 680×337 mm, for "Ev1010"
(19)	DH.Ev1020.A19	Stand Base, Carbon Steel, 451×850 mm, for "Ev-1020"
(20)	DH.Ev1010.A20	Vacuum Gauge, $\phi 100$, for "Ev-1010" & "Ev-1020" & "Ev-1050"
(21)	DH.Ev1010.A21	Vacuum Gauge Holder, Copper, $137 \times 120 \times 35$ mm, for "Ev-1010", "Ev-1020"
(22)	DH.Ev1010.A22	Machine Head Capsule, Aluminum, $130 \times 214 \times 100$ mm, for "Ev-1010"
(22)	DH.Ev1020.A22	Machine Head Capsule, Aluminum, $290 \times 137 \times 50$ mm, for "Ev-1020"
(23)	DH.Ev1010.A23	Water Bath, SUS304, $\phi 345 \times 215$ mm, for "Ev-1010"
(23)	DH.Ev1020.A23	Water Bath, SUS304, $\phi 450 \times 255$ mm, for "Ev-1020"
(24)	DH.Ev1010.A24	3-way Glass Flask, $\phi 100 \times 338$ mm, for "Ev-1010" & "Ev-1020"
(25)	DH.Ev1010.A25	Fixed Nut, for 3-way Glass Flask, Aluminum, $\phi 90 \times 29$ mm, for "Ev-1010", "Ev-1020"
(26)	DH.Ev1010.A26	Fixed Nut Retainer Ring, 3-way Glass Flask, PA, $\phi 65 \times 10$ mm, for "Ev-1010", "Ev-1020"
(27)	DH.Ev1010.A27	Flange Seals, PTFE, $\phi 55 \times 12.5$ mm, for "Ev-1010", "Ev-1020"
(28)	DH.Ev1010.A28	Rotation Glass Axis, $\phi 60 \times 185$ mm, for "Ev1010"
(28)	DH.Ev1020.A28	Rotation Glass Axis, $\phi 60 \times 195$ mm, for "Ev-1020"
(29)	DH.Ev1010.A29	O-ring, EPDM, $\phi 38 \times 3.1$ mm, for "Ev-1010", "Ev-1020"
(30)	DH.Ev1010.A30	Couplings, SUS304, $\phi 116 \times 45$ mm, for "Ev-1010", "Ev-1020"
(31)	DH.Ev1010.A31	Main Vacuum Seal, $\phi 96 \times 10$ mm, PTFE, for "Ev-1010", "Ev-1020"
(32)	DH.Ev1010.A32	Deputy Vacuum Seal, FTFE, $\phi 96 \times 10$ mm, for "Ev-1010", "Ev-1020"
(33)	DH.Ev1010.A33	Retaining Ring, PA, $\phi 107 \times 15$ mm, for "Ev-1010", "Ev-1020"
(34)	DH.Ev1010.A34	Rotating Shaft Nut, PA, $\phi 78 \times 29$ mm, for "Ev-1010", "Ev-1020"
(35)	DH.GL220893	DURAN glass Evaporating Flask, 10Lit., for "Ev-1010"
(35)	DH.GL220894	DURAN glass Evaporating Flask, 20Lit., for "Ev-1020"
(36)	DH.Ev1005.A36	Glass Feeding Valve(24#), for "WEV-1005", "Ev-1010", "Ev-1020"
(37)	DH.Ev1010.A37	Connection Flange Set(60#), $\phi 90 \times 12$ mm, for "Ev-1010", "Ev-1020", "Ev-1050"
(38)	DH.Ev1010.A38	Flange Retaining Ring(60#), EPDM, $\phi 70 \times 10$ mm, for "Ev-1010", "Ev-1020", "Ev-1050"
(39)	DH.Ev1010.A39	Flange Gasket(60#), PTFE, $\phi 55 \times 12.5$ mm, for "Ev-1010", "Ev-1020", "Ev-1050"