

DAIHAN-brand® 5 Lit. Digital Rotary Evaporator, "WEV-1005" Large Capacity, Vertical -type **NEW**

Digital Controlled Stainless steel Bath 99 °C, with Electric Lift Bath, 10~130 rpm



Digital Rotary Evaporator, Large Capa.  
"WEV-1005" 5Lit.

- with Certificate & Traceability :  
Controlled by Serial Number, Certificate, Delivery-information, and Traceable Data Base System
  - Ideal for Distill of (Mixed) Solvent, Condensation Solution and Suspension, Concentrate Liquid, Re-crystallization, Dry Powder and Granulate, Synthesize Chemical, Soxhlet Extraction, Recycle Solve
  - Cooling Surface 2,700 cm<sup>2</sup>
  - Teflon (PTFE) and Fluorine Rubber Dual Rotating Seal, Patented Technology to ensure High Vacuum.
  - A Vacuum Switching Valve, without Affecting the System Vacuum Distillation of the Situation and the Solution can be Continuously Collected.
  - Stainless steel Water Bath Electric Lift, Easy to Use.
- \* Water Bath Electric Lift, Easy to Use.  
 \* The Introduction of Foreign Advanced Frequency Control System, Temperature Control System, Accurate and Reliable.  
 \* a Vacuum Switching Valve, without Affecting the System Vacuum Distillation of the Situation and the Solution can be Continuously Collected.  
 \* PTEE Discharge Valve, Corrosion Resistance, Pollution-free.  
 \* These Rotary Evaporators could Set with Circulation Aspirator Pump (P. 60)

Specification

Spec.	Model	"WEV-1005"
Evaporating Flask		5 Lit., Flange Opening $\phi$ 50 mm
Receiving Flask		3 Lit.
Condenser		Vertical type water refrigerating
Temp. Range		Ambient Temperature +5 °C ~ 99 °C
Rotary Speed		10 ~ 140 rpm
Evaporating Capability		Water : 2 Lit./h, Alcohol : 4 Lit/h
Cooling Surface		2,700 cm <sup>2</sup>
Achievable Vacuum		399.9Pa(below 3mmHg)
Functional of Lifting Table		Electric
Elevating Stroke		0 ~ 150 mm
Vacuum Sealing		PTFE and Fluorine Rubber Dual Rotating Seal
Motor		Phase AD Induction Motor
		40 W
Heating Boiler		Stainless steel Water Bath
Display		Digital display
Power Consumption		2.2 KW
Dimension (mm)		765×400×h1070
Power Supply & Cord Plug		220V, 50Hz

Ordering Information

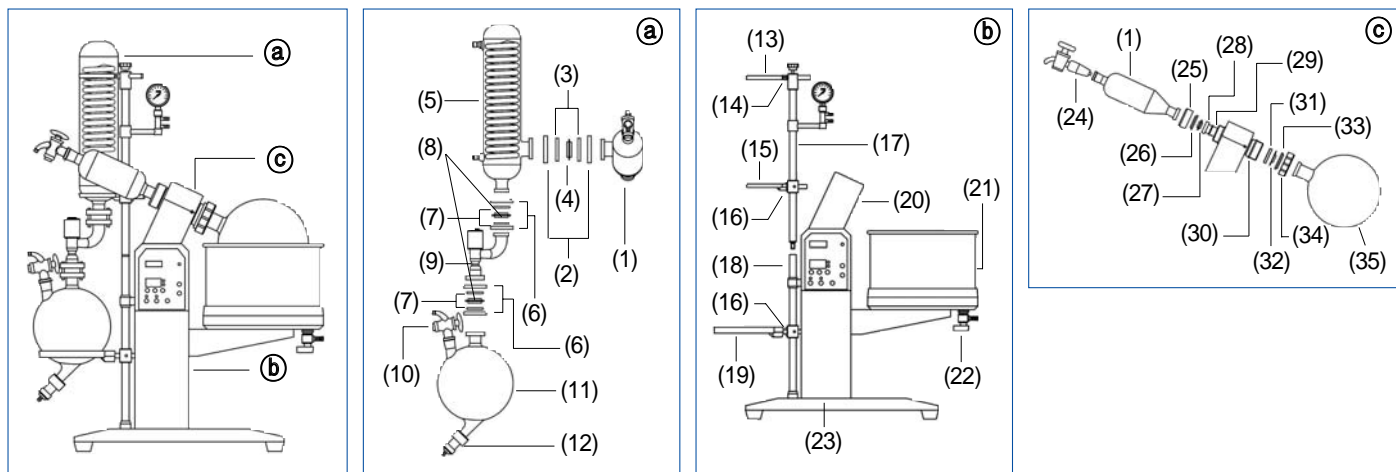
DH.WEV01005 Digital Rotary Evaporator, Large Capa., "WEV-1005", 5Lit., 220V

The Details of Spare Parts : Please See the Next Page

<Continued on next page>

<Continued from... DAIHAN-brand® 5-Lit. Digital Rotary Evaporator, "WEV-1005">

### The Details of Spare Parts for 5Lit. Digital Rotary Evaporator "WEV-1005" model



### Ordering Information

Seq. No.	Cat. No.	Description
(1)	DH.Ev1005.A01	3-way Glass Flask, $\phi 80 \times 300$ mm, for "Ev-1005"
(2)	DH.Ev1005.A02	Connection Flange Set(50#), Aluminum, $\phi 82 \times 10$ mm, for "Ev-1005", "Ev-1010", "Ev-1020"
(3)	DH.Ev1005.A03	Flange Retaining Ring(50#), EPDM, $\phi 60 \times 6$ mm, for "Ev-1005", "Ev-1010", "Ev-1020"
(4)	DH.Ev1005.A04	Flange Gasket(50#), PTFE, $\phi 45 \times 12$ mm, for "Ev-1005", "Ev-1010", "Ev-1020"
(5)	DH.Ev1005.A05	Glass Condenser(Main), $\phi 100 \times 455$ mm, for "Ev-1005"
(6)	DH.Ev1005.A06	Connection Flange Set(40#), Aluminum, $\phi 72 \times 10$ mm, for "Ev-1005"
(7)	DH.Ev1005.A07	Flange Retaining Ring(40#), EPDM, $\phi 50 \times 6$ mm, for "Ev-1005"
(8)	DH.Ev1005.A08	Flange Gasket(40#), PTFE, $\phi 35 \times 12$ mm, for "Ev-1005"
(9)	DH.Ev1005.A09	Condenser Connector, Glass, $135 \times 96 \times 39$ mm, for "Ev-1005"
(10)	DH.Ev1005.A10	Glass Bleed Valve(19#), for "Ev-1005"
(11)	DH.GL22095	DURAN glass Receiving Flask, 3Lit., for "Ev-1005"
(12)	DH.Ev1005.A12	Discharge Valve, PTFE, $\phi 56 \times 120$ mm, for "Ev-1005"
(13)	DH.Ev1005.A13	Condenser Clamp, SUS304, 91-113, for "Ev-1005"
(14)	DH.Ev1005.A14	Condenser Clamp Holder, SUS304, $\phi 28 \times 45$ mm, for "Ev-1005"
(15)	DH.Ev1005.A15	Condenser Tray, EPDM, $\phi 102$ mm, for "Ev-1005"
(16)	DH.Ev1005.A16	Stand Folder, SUS304, $\phi 19 \times \phi 12$ mm, for "Ev-1005"
(17)	DH.Ev1005.A17	Stand Pole, SUS304, $\phi 20 \times 480$ mm, for "Ev-1005"
(18)	DH.Ev1005.A18	Under Stand Pole, SUS304, $\phi 20 \times 450$ mm, for "Ev-1005"
(19)	DH.Ev1005.A19	Glass Receiving Flask Tray, $\phi 167$ mm, for "Ev-1005"
(20)	DH.Ev1005.A20	Machine Head Capsule, Aluminum, $179 \times 100 \times 90$ mm, for "Ev-1005"
(21)	DH.Ev1005.A21	Water Bath, SUS304, $\phi 314 \times 168$ mm, for "Ev-1005"
(22)	DH.Ev1005.A22	Drain Valve, PTFE, 1/2", for "Ev-1005"
(23)	DH.Ev1005.A23	Stand Base, Carbon Steel, $570 \times 266$ mm, for "Ev-1005"
(24)	DH.Ev1005.A24	Glass Feeding Valve(24#), for "Ev-1005"
(25)	DH.Ev1005.A25	Fixed Nut, for 3-way Glass Flask, Aluminum, $\phi 62 \times 24$ mm, for "Ev-1005"
(26)	DH.Ev1005.A26	Fixed Nut Retainer Ring, 3-way Glass Flask, PA, $\phi 50 \times 8$ mm, for "Ev-1005"
(27)	DH.Ev1005.A27	Flange Seals, PTFE, $\phi 35 \times 12$ mm, for "Ev-1005"
(28)	DH.Ev1005.A28	Rotation Glass Axis, $\phi 40 \times 160$ mm, for "Ev-1005"
(29)	DH.Ev1005.A29	O-ring, EPDM, $\phi 27 \times 2.65$ mm, for "Ev-1005"
(30)	DH.Ev1005.A30	Couplings, SUS304, $\phi 64 \times 34$ mm, for "Ev1005"
(31)	DH.Ev1005.A31	Main Vacuum Seal, PTFE, $\phi 50 \times 8$ mm, for "Ev-1005"
(32)	DH.Ev1005.A32	Deputy Vacuum Seal, FTFE, $\phi 50 \times 8$ mm, for "Ev-1005"
(33)	DH.Ev1005.A33	Retaining Ring, PA, $57 \times 67 \times 8$ mm, for "Ev-1005"
(34)	DH.Ev1005.A34	Rotating Shaft Nut, PA, $\phi 78 \times 29$ mm, for "Ev-1005"
(35)	DH.GL220892	DURAN glass Evaporating Flask, 5Lit., for "Ev-1005"