

DAIHAN® 0.5~3Lit. Digital Rotary Evaporator, “WEV-1001V”, “WEV-1001L” Vertical & Diagonal Type NEW
 7.4 Lit Digital Bath 100°C, with PID Control & Lifting Table, 10~180rpm, 20ml/min



Wisdom
 2-Year Warranty

(1) Digital Rotary Evaporator, Vertical-type
 “WEV-1001V”, 0.5 ~ 3 Lit.



Wisdom
 2-Year Warranty

(2) Digital Rotary Evaporator, Diagonal-type
 “WEV-1001L”, 0.5 ~ 3 Lit.

- DAIHAN® Designed China-made
- Ideal for Distill of (Mixed) Solvent, Condensation Solution and Suspension, Concentrate Liquid, Re-crystallization, Dry Powder and Granulate, Synthesize Chemical, Soxhlet Extraction, Recycle Solvent
- The Temperature adopts PID Control, which ensures accurate Temperature Control.
- Speed Display ,Operate Visually and easily

- * Digital Speed Display, Digital Temp. Display on Water Bath.
- * Double Sealing with PTFE and Fluorous Rubber to ensure High Vacuum Degree.
- * The Air Extraction Nozzle of Condenser is set down, and it is Safer after Connection with Vacuum Pipe
- * Building Block Design is Easily to be Extended.
- * Easy Operation of Lifting, Move up and Down Smoothly and Easy to Lock.
- * Dedicated Electric Machinery, Worm and Gear Drive Steadily.
- * The Separation of Bath and the Mainframe makes Configure Flexible.
- * These Rotary Evaporators could Set with Circulation Aspirator Pump(P.394-4) and Refrigerated Bath Circulators(P.60~P.63).

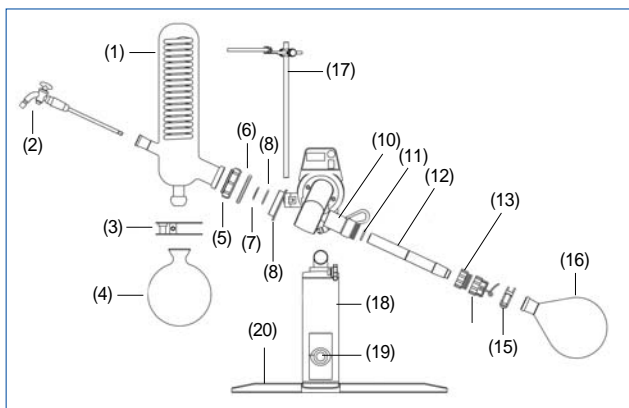
Specification

Spec.	Model	“WEV-1001V”	“WEV-1001L”
Condenser Type		Vertical-type	Diagonal-type
Bottle Capacity		Rotary Bottle : 0.5~3 Lit., Collecting Bottle : 1 Lit.	
Rotary Speed		10 ~ 180 rpm	
Evaporating Capability		20 ml/min	
Achievable Vacuum		399.9Pa(below 3mmHg)	
Bath Capacity		7.4 Lit. / φ 260 × 140 mm	
Temp. Range		0°C ~ 99°C	
Functional of Lifting Table		Weight Balancing Gliding Elevating & Manual Lifting	
Elevating Stroke		100 ~ 250 mm	
Vacuum Sealing		Double Sealing Rings made of Teflon+Vinton Materials	
Power Consumption		Motor : 25 W, Heater : 1.5KW	
Controller & Display		PID Controller, Digital display	
Dimension & Net Weight		560 × 320 × h660mm / 9.5 kg	750 × 320 × h540mm / 9.5 kg
Power Supply & Cord Plug		220V, 60Hz	

Ordering Information

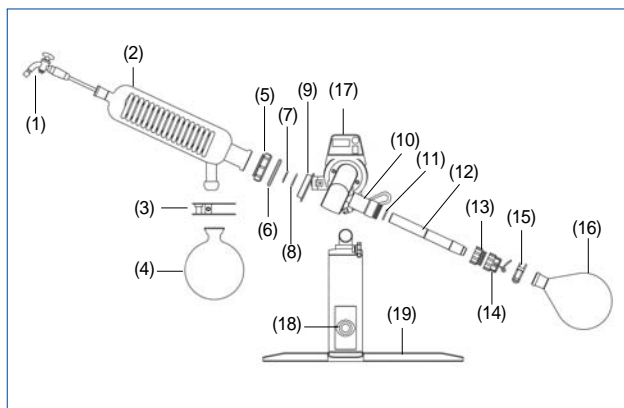
- DH.WEV01001V (1) Digital Rotary Evaporator, Vertical-type, “WEV-1001V”, 220V
 DH.WEV01001L (2) , Diagonal-type, “WEV-1001L”, 220V

The Details of Spare Accessories



(1) Drawing of Digital Rotary Evaporator, Vertical-type “Ev-1001V”

- | | | |
|----------------------------|------------------------------|---------------------------------|
| (1) Glass condenser | (2) Glass feeding valve | (3) Receiving bottle clamp |
| (4) Receiving bottle | (5) Condenser locknut | (6) Circlip |
| (7) Vacuum seal | (8) Bearing end cap | (9) Stainless steel rotary axis |
| (10) O-ring | (11) Glass rotation axis | (12) Vice retire bottle |
| (13) Master retreat bottle | (14) Rotary bottle coupling | (15) Rotary bottle fixed clamp |
| (16) Rotary bottle | (17) Glass Condenser Bracket | (18) Lifting column |
| (19) Lifting handle | (20) Base | |



(2) Drawing of Digital Rotary Evaporator, Diagonal-type “Ev-1001L”

- | | | |
|----------------------------|------------------------------|---------------------------------|
| (1) Glass feeding valve | (2) Glass condenser | (3) Receiving bottle clamp |
| (4) Receiving bottle | (5) Condenser locknut | (6) Circlip |
| (7) Vacuum seal | (8) Bearing end cap | (9) Stainless steel rotary axis |
| (10) O-ring | (11) Glass rotation axis | (12) Vice retire bottle |
| (13) Master retreat bottle | (14) Rotary bottle coupling | (15) Rotary bottle fixed clamp |
| (16) Rotary bottle | (17) Glass Condenser Bracket | |
| (18) Lifting handle | (19) Base | |